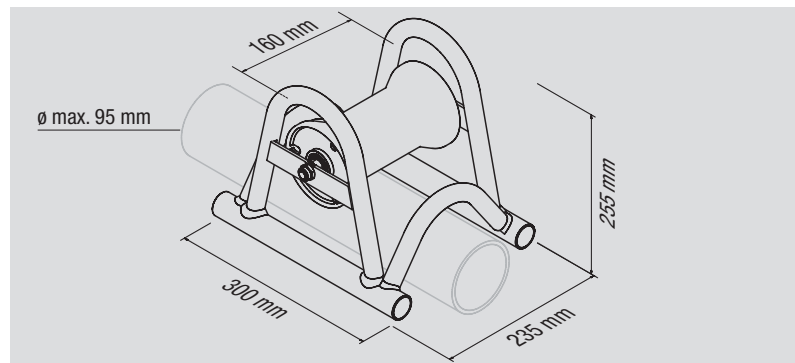
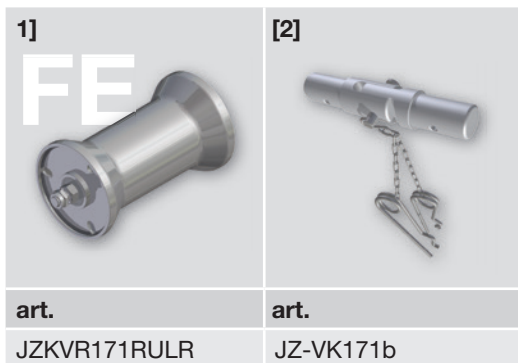




<p>EN</p> <p>Cable laying ground roller fit for installations cables with \varnothing 135 mm max. Composed by:</p> <ul style="list-style-type: none"> galvanized steel frame running roller made of galvanized steel mounted on shielded ball bearings 	<p>D</p> <p>Kabelverlegerolle zur geradlinigen Verlegung von Kabeln bis zu einem \varnothing von 135 mm Bestehend aus:</p> <ul style="list-style-type: none"> verzinkten Stahlrahmen Rolle aus verzinktem Stahl, gelagert mittels doppelt geschützter Kugellager 	<p>E</p> <p>Rodillo para colocar cables adecuado para la colocación en línea recta de cables con un \varnothing máx. de 135 mm, Compuesto de:</p> <ul style="list-style-type: none"> bastidor en acero cincado rodillo de deslizamiento en acero cincado montado sobre cojinetes de esferas apantallados. 	<p>F</p> <p>Galet de tirage de câbles convenant pour le tirage rectiligne de câbles du diamètre de 135 mm max. Comprenant:</p> <ul style="list-style-type: none"> un châssis en acier galvanisé un galet en acier galvanisé monté sur roulements à billes blindés 	<p>I</p> <p>Rullo posacavi adatto per la posa in rettilineo di cavi fino al \varnothing 135 mm max. Composto da:</p> <ul style="list-style-type: none"> telaio in acciaio zincato rullo di scorrimento in acciaio zincato montato su cuscinetti a sfere schermati
-----------------------------------------------------------------------------------------------------------------------------------------------------------------------------------------------------------------------------------------------------------------------------------------------------------	---------------------------------------------------------------------------------------------------------------------------------------------------------------------------------------------------------------------------------------------------------------------------------------------------------------------	--------------------------------------------------------------------------------------------------------------------------------------------------------------------------------------------------------------------------------------------------------------------------------------------------------------------------------------------------------------	---------------------------------------------------------------------------------------------------------------------------------------------------------------------------------------------------------------------------------------------------------------------------------------------------------	----------------------------------------------------------------------------------------------------------------------------------------------------------------------------------------------------------------------------------------------------------------------------------------------------------------------

Accessories • Zubehör • Accesorios • Accessoires • Accessori

<p>[1] Spare roller comes complete of screwed shaft M12, ball-bearings, nuts and bolts.</p> <p>[2] Assembling joint for rollers chain assembly.</p>	<p>[1] Ersatzrolle aus verzinktem Stahl, mit Gewindestift M12, Kugellager, Beilagscheiben und Mutter.</p> <p>[2] Verbindungskupplung zur Verbindung von Kabelrollen zu einer Kette.</p>	<p>[1] Rodillo de repuesto con perno roscado M12, cojinetes, arandelas y bulones.</p> <p>[2] Acoplamiento de ensamblaje para componer una cadena de rodillos.</p>	<p>[1] Galet de rechange muni d'axe fileté M12, roulements, rondelles et boulons.</p> <p>[2] Joint d'assemblage pour former une chaîne de galets.</p>	<p>[1] Rullo di ricambio, completo di perno filettato M12 cuscinetti, rondelle e bulloni.</p> <p>[2] Giunto di assemblaggio per comporre una catena di rulli.</p>
-------------------------------------------------------------------------------------------------------------------------------------------------------------------	-------------------------------------------------------------------------------------------------------------------------------------------------------------------------------------------------------	---------------------------------------------------------------------------------------------------------------------------------------------------------------------------------	---------------------------------------------------------------------------------------------------------------------------------------------------------------------	---------------------------------------------------------------------------------------------------------------------------------------------------------------------------------



300 x 235 x 255 mm	4,4 kg	300 daN	\varnothing 135 mm	\varnothing 80 - 109 x 180 mm